

2.54mm(.100") Wire To Wire And Wire To Board Connector

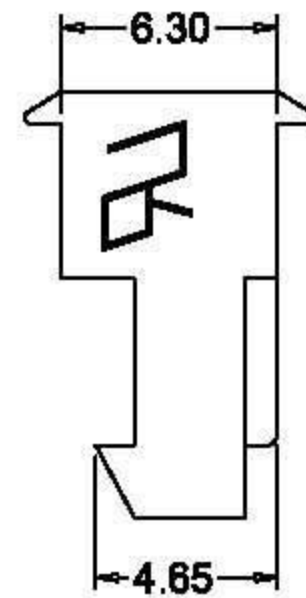
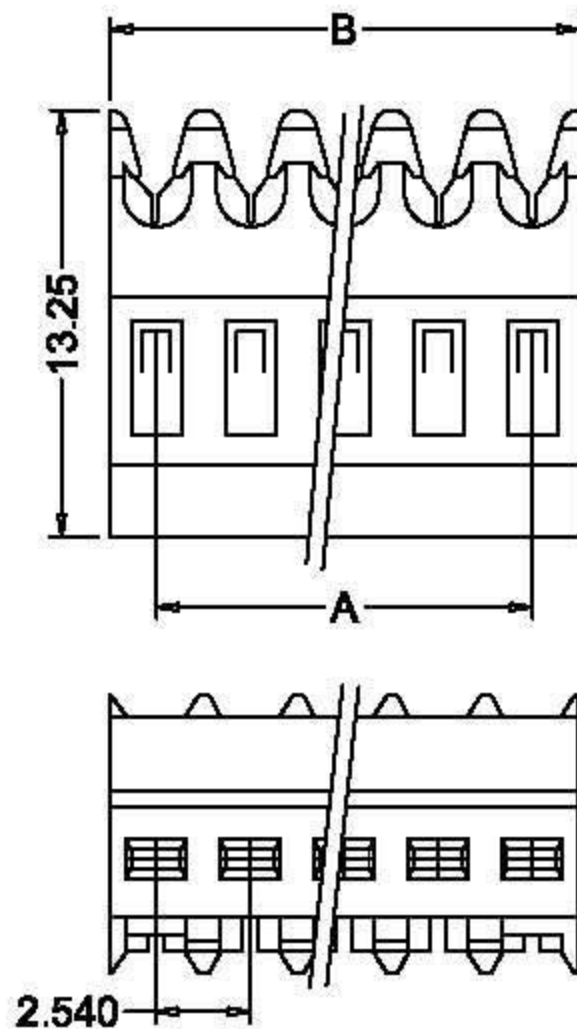
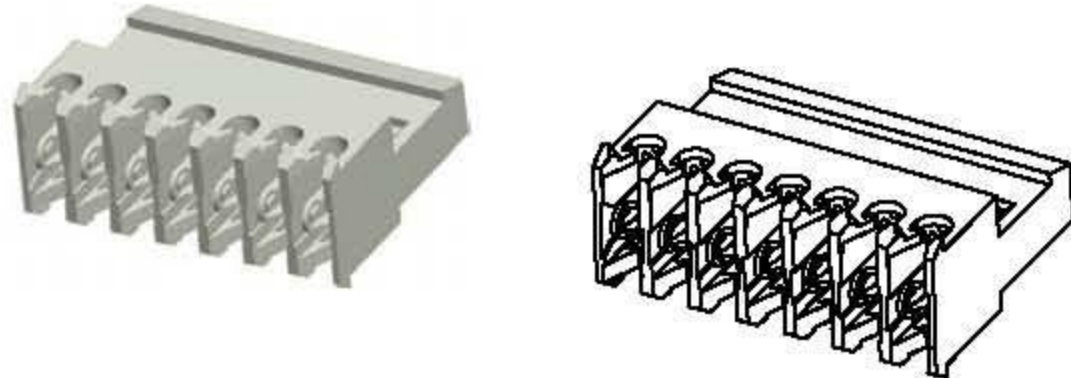


Shenzhen Hongru Connector Co., Ltd

SPECIFICATIONS:

- Current Rating:3A AC,DC
- Voltage Rating:250V AC,DC
- Operating temperature:V2:-25℃~+85℃
V0:-40℃~+105℃
- Contact Resistance:10mΩ max.
- Insulation Resistance:1000MΩ Min.
- Withstanding Voltage:750V AC/minute
- Housing Feature:Feed-through
- Material:Housing:Nylon66 UL94V-2/UL94V-0
Terminal:Brass.Tin plated/Gold plated
- UL File No:E304945
- Patent No:200620059354.4

Email: yukyli@hrb-connector.com
 Tel: 86-0755- 2709 6669
 Fax: 86-0755-2709 2392
 Skype: haiyuncheng-vivian
 Mobile(Whatsapp): 86-186 8112 3590
 Website: http://www.hrb-connector.com



C	Color	Wire size
R	Red	#22
W	White	#24
N	Natural	#24
B	Black	#24
b	blue	#26
G	Green	#26

Ordering Information And Dimensions

Part NO.		Dimensions		Part NO.		Dimensions	
TYP UL94V-2	Circuits	Dim:A	Dim:B	TYP UL94V-2	Circuits	Dim:A	Dim:B
M2050-2-C(180°)	2	2.54	5.08	M2050-10-C(180°)	10	22.86	25.40
M2050-3-C(180°)	3	5.08	7.62	M2050-11-C(180°)	11	25.40	27.94
M2050-4-C(180°)	4	7.62	10.16	M2050-12-C(180°)	12	27.94	30.48
M2050-5-C(180°)	5	10.16	12.70	M2050-13-C(180°)	13	30.48	33.02
M2050-6-C(180°)	6	12.70	15.24	M2050-14-C(180°)	14	33.02	35.56
M2050-7-C(180°)	7	15.24	17.78	M2050-15-C(180°)	15	35.56	38.10
M2050-8-C(180°)	8	17.78	20.32	M2050-16-C(180°)	16	38.10	40.64
M2050-9-C(180°)	9	20.32	22.86	M2050-17-C(180°)	17	40.64	43.18

