

3.96mm(.156")Wire To Wire And Wire To Board Connector

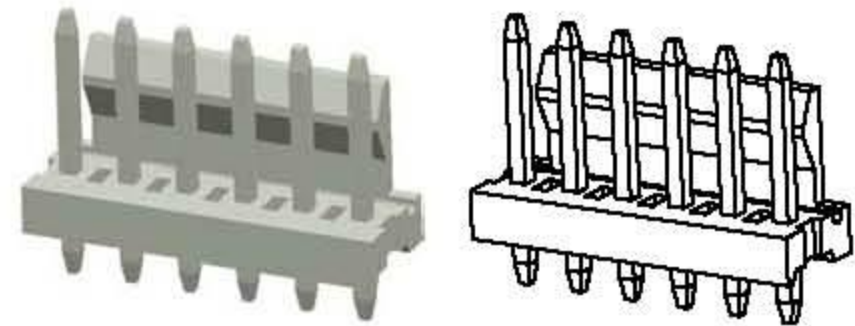


Shenzhen Hongru Connector Co., Ltd

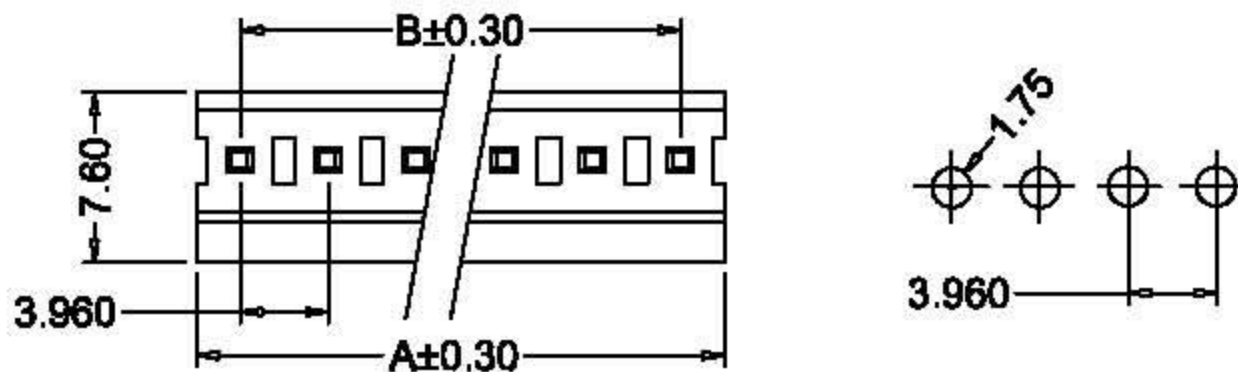
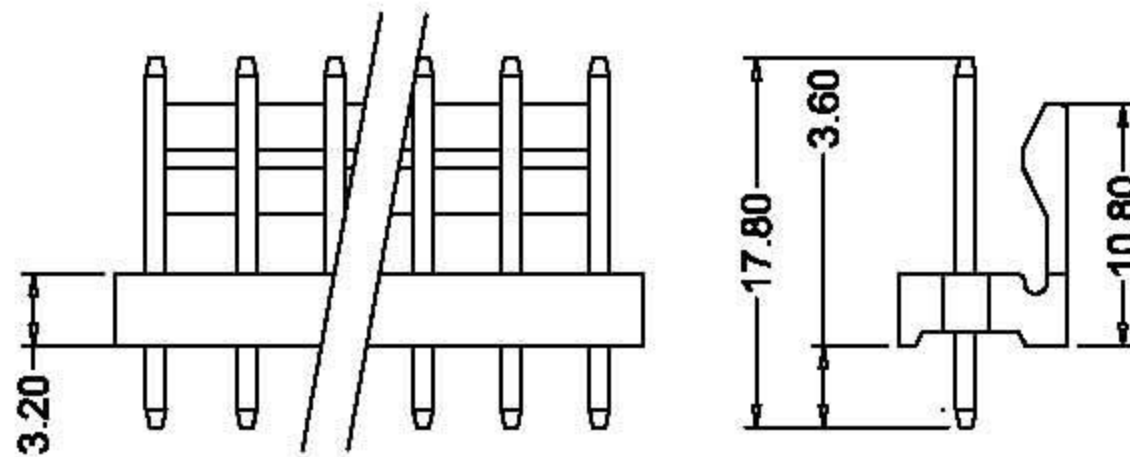
Email: yukyli@hrb-connector.com
 Tel: 86-0755- 2709 6669
 Fax: 86-0755-2709 2392
 Skype: haiyuncheng-vivian
 Mobile(Whatsapp): 86-186 8112 3590
 Website: <http://www.hrb-connector.com>

SPECIFICATIONS:

- Current Rating:7AAC,DC
- Voltage Rating:600V AC,DC
- Operating Temperature:-40°C~+130°C
- Contact Resistance:3.0mΩ max.
- Insulation Resistance:5000MΩ Min.
- Withstanding Voltage:2200V AC/minute
- UL File No:E304945
- Material:Housing:Polyester UL94V-0
Pin:Brass,Bright Tin Plated



Standard Type



Ordering Information And Dimensions

Part NO.		Dimensions		Part NO.		Dimensions		Part NO.		Dimensions	
TYP UL94V-0	Circuits	Dim:A	Dim:B	TYP UL94V-0	Circuits	Dim:A	Dim:B	TYP UL94V-0	Circuits	Dim:A	Dim:B
M3965-2-K (S)	2	7.92	3.96	M3965-9-K (S)	9	35.64	31.68	M3965-16-K (S)	16	63.36	59.40
M3965-3-K (S)	3	11.88	7.92	M3965-10-K (S)	10	39.60	35.64	M3965-17-K (S)	17	67.32	63.36
M3965-4-K (S)	4	15.84	11.88	M3965-11-K (S)	11	43.56	39.60	M3965-18-K (S)	18	71.28	67.32
M3965-5-K (S)	5	19.80	15.84	M3965-12-K (S)	12	47.52	43.56	M3965-19-K (S)	19	75.24	71.28
M3965-6-K (S)	6	23.76	19.80	M3965-13-K (S)	13	51.48	47.52	M3965-20-K (S)	20	79.20	75.24
M3965-7-K (S)	7	27.72	23.76	M3965-14-K (S)	14	55.44	51.48				
M3965-8-K (S)	8	31.68	27.72	M3965-15-K (S)	15	59.40	55.44				

