

2.54mm(.100") Wire To Wire And Wire To Board Connector

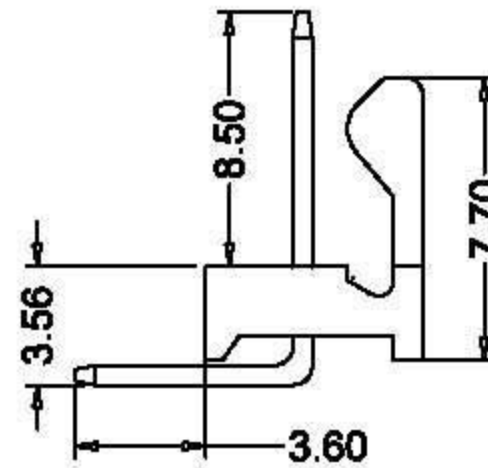
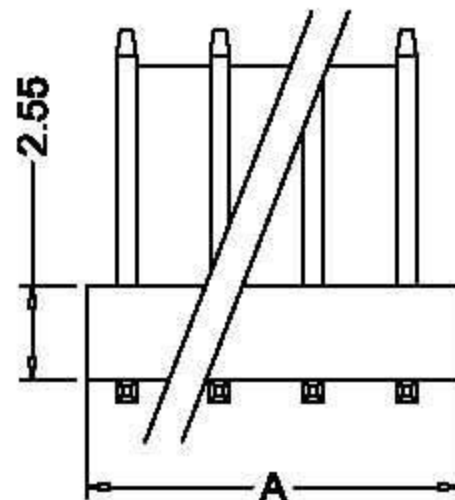
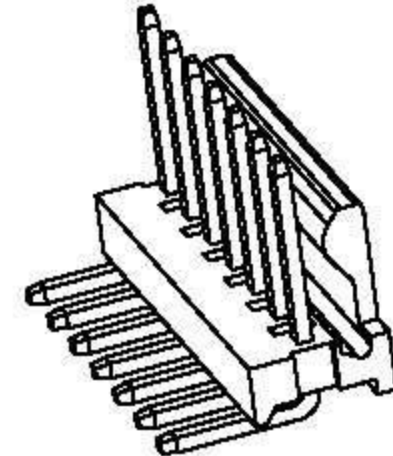


Shenzhen Hongru Connector Co., Ltd

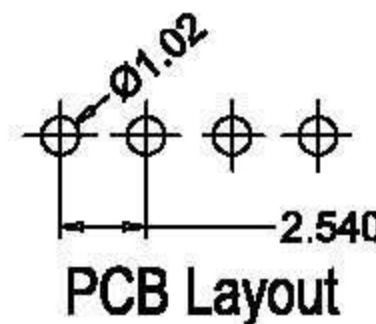
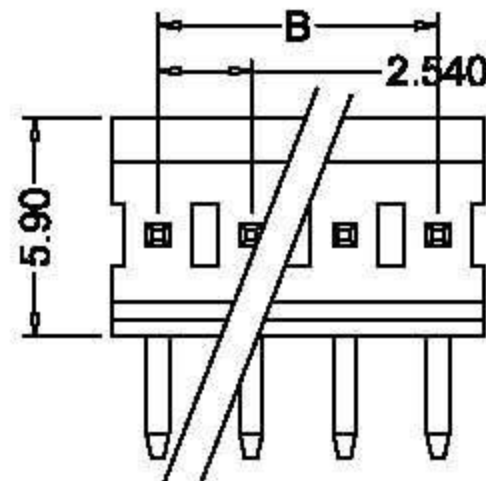
SPECIFICATIONS:

- Current Rating:4AAC,DC
- Voltage Rating:250V AC,DC
- Operating Temperature:-40℃~+130℃
- Contact Resistance:3.0mΩ max.
- Insulation Resistance:5000MΩ Min.
- Withstanding Voltage:2200V AC/minute
- UL File No:E304945
- Material:Housing:Polyester UL94V-0
Pin:Brass,Tin plated
- Housing And Pin Solid Needle Bearing:2.0kg (Min.)
- Solder Resistance:Dip Connector Terminal Tails
In Solder :Solder Duration:4±0.5 Seconds;
Solder Temperature:245℃±0.5℃

Email: yukyli@hrb-connector.com
Tel: 86-0755- 2709 6669
Fax: 86-0755-2709 2392
Skype: haiyuncheng-vivian
Mobile(Whatsapp): 86-186 8112 3590
Website: <http://www.hrb-connector.com>



Front Bend



PCB Layout

Ordering Information And Dimensions

Part NO.		Dimensions		Part NO.		Dimensions	
TYP UL94V-0	Circuits	Dim:A	Dim:B	TYP UL94V-0	Circuits	Dim:A	Dim:B
M2545R-2-K	2	5.08	2.54	M2545R-10-K	10	25.40	22.86
M2545R-3-K	3	7.62	5.08	M2545R-11-K	11	27.94	25.40
M2545R-4-K	4	10.16	7.62	M2545R-12-K	12	30.48	27.94
M2545R-5-K	5	12.70	10.16	M2545R-13-K	13	33.02	30.48
M2545R-6-K	6	15.24	12.70	M2545R-14-K	14	35.56	33.02
M2545R-7-K	7	17.78	15.24	M2545R-15-K	15	38.10	35.56
M2545R-8-K	8	20.32	17.78	M2545R-16-K	16	40.64	38.10
M2545R-9-K	9	22.86	20.32				

